



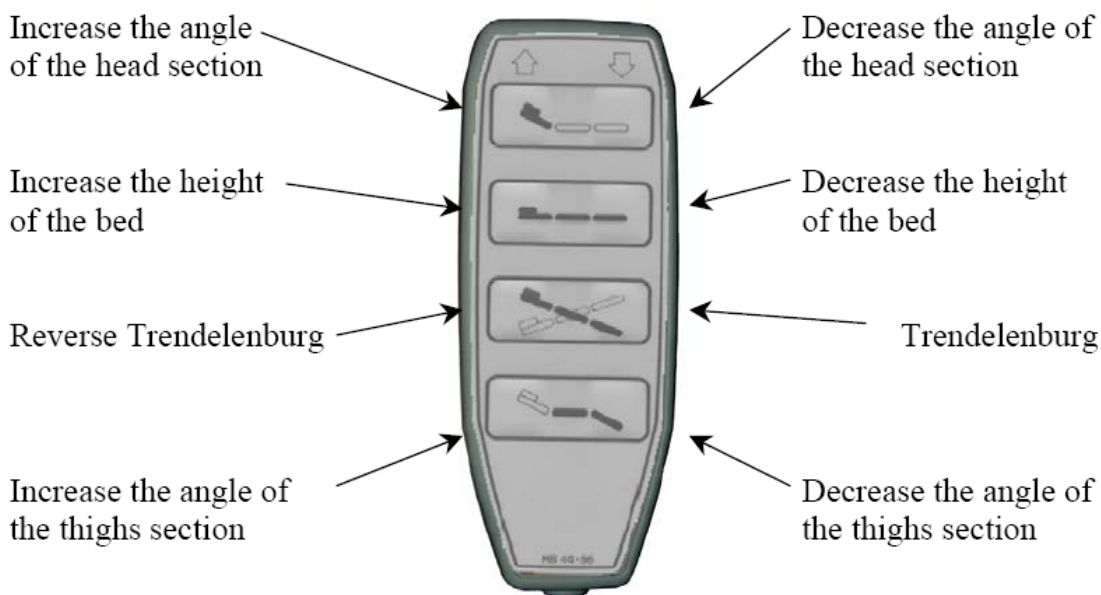
User Instructions for a Bariatric Bed

Precautions:

- This bed is not for pediatric use.
- This bed should not be used in the presence of flammable anesthetic gas mixed with air, oxygen or nitrogen oxide.
- Always apply the brakes after moving the bed or when a patient is in it.
- Side rails are made to prevent accidental falls. They must not be used to restrain patients from getting out of bed.
- Always lower the bed when the patient is sleeping or left without medical supervision to avoid risks of falls or injuries.
- Always make sure that nothing interferes with the functioning of the bed before using the commands, i.e. patients or staffs limbs, medical equipment, etc...
- Unless proscribed for the patient's condition, always place the platform horizontally when the patient is sleeping.
- To avoid injuries when moving the bed with a patient, always put the bed at its lowest position, then place the platform horizontally and leave the side rails raised.
- Unplug the bed immediately if a significant overflow of liquid accidentally spilled on the electronic components, the wires or the actuators.
- To clean the bed use detergents or sanitizers. Always unplug the bed before cleaning. Never use jets of water or steam, and never submerge the bed parts to clean them. Make sure that the cleaned parts are dry before using the bed again.
- Unplug the power cable and the battery before cleaning.

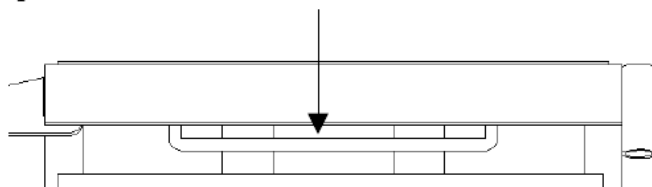
Remote Control of the Bed

The basic remote control (without the locking system function) allows you to use the following functions of the bed:



Hooks for Draining Bags

The two (2) hooks for the draining bags are located under and on each side of the lower back section of the platform.



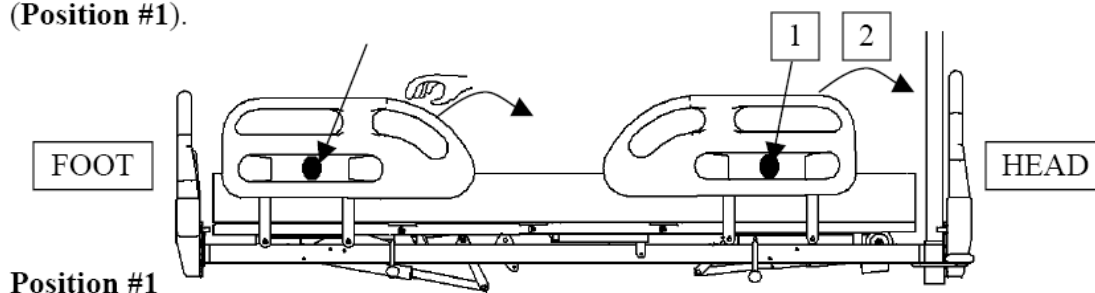
The eight (8) openings for the restraining straps located on each side of the lower back and the thighs sections of the platform can also be used for draining bags.

NOTE: The four (4) openings located on each side of the thighs section can be moved when the angle is modified. However, ensure that the bag does not hook the side rails when moving.

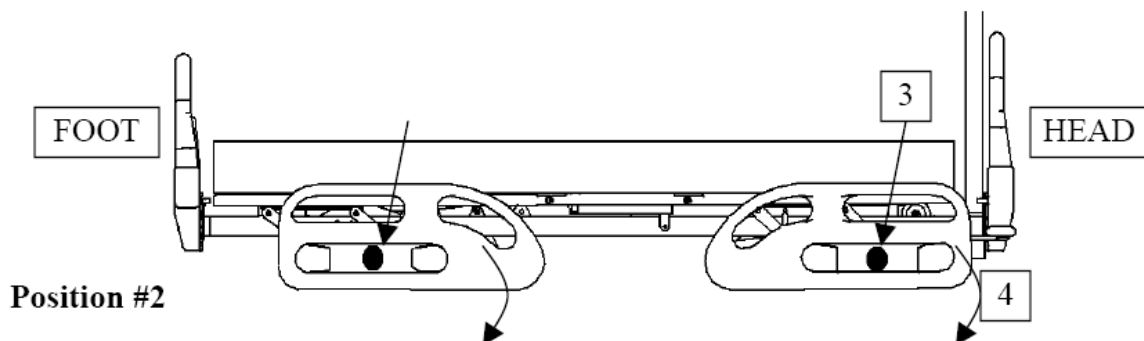
Composite Half-length Side Rails

Instructions to lower every side rail:

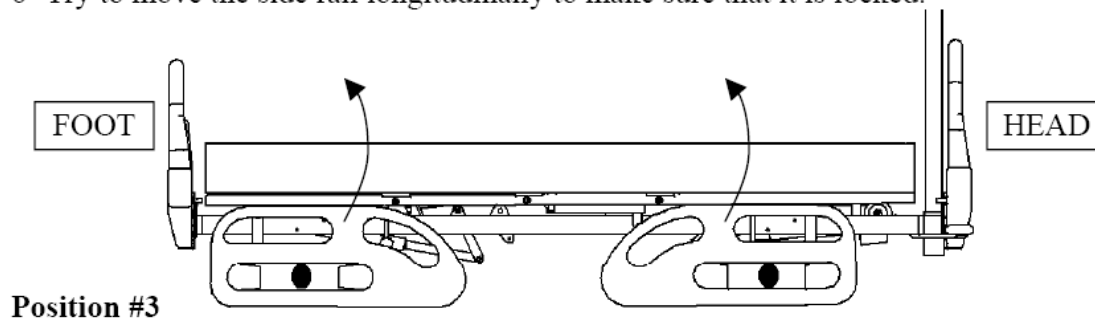
- 1- Press the rubber button situated in the center of the side rail;
- 2- Move the side rail downwards with a rotating move until it stops at the first level (**Position #1**).



- 3- Press the button once again;
- 4- Move the side rail downwards with another rotating move (**Position #2**).



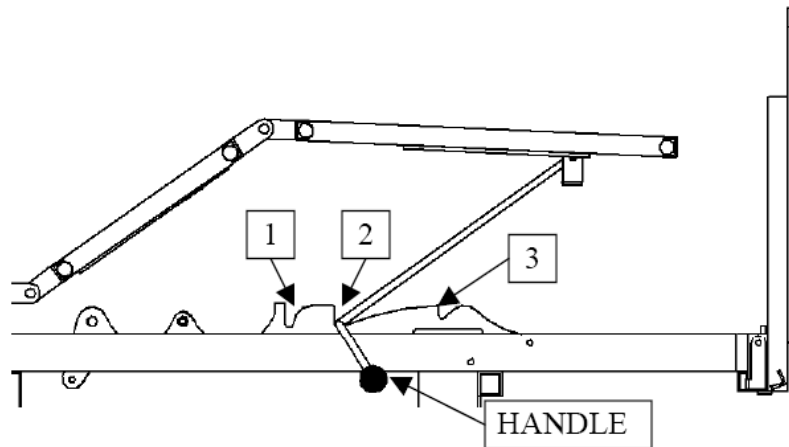
- 5- To replace the side rail to its original position, pull it upwards with a rotating move (**Position #3**).
- 6- Try to move the side rail longitudinally to make sure that it is locked.



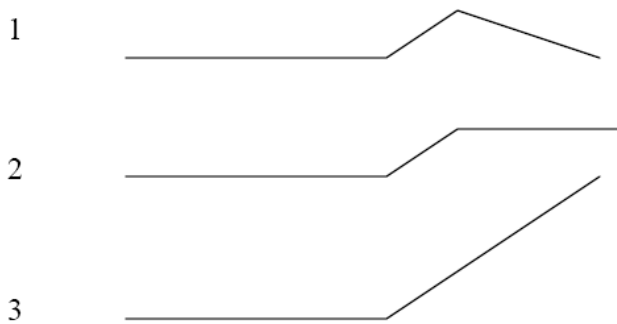
Warning: Ensure that nothing hinders the functioning of the side rails (blankets, patient's limbs, etc...) before using them.

Adjusting the Angle of the Feet Section

The feet section of the platform can be adjusted to different angles according to your needs.



The feet section has 3 adjusting positions:



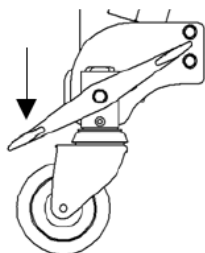
To use positions 1 and 3, the angle of the thighs section needs to be at its maximum.

Before changing to any position, you must ensure that the side rails are raised. Then, change to the position needed with the handle. Stay close to the feet section in order to work safely and avoid injuries.

Casters with Synchronized Brake Systems (2 x 2 Casters)

It is recommended to raise the base of at least 6 in compared to the lowest position to ease the access to the brakes.

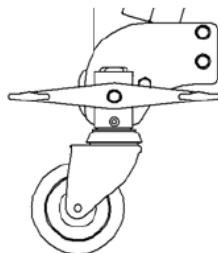
To activate the different positions of the braking system, press on the pedal as follows:



DIRECTIONNAL*

➤ To start the directional mode and to allow the bed to move in a straight line:

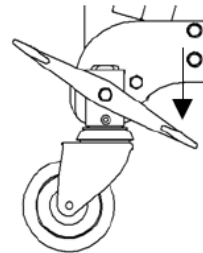
➤➤ Push down on the green side of the pedal.



NEUTRAL

➤ To remove any restriction and to allow the bed to move in any direction:

➤➤ Put the pedal horizontally.



BRAKE

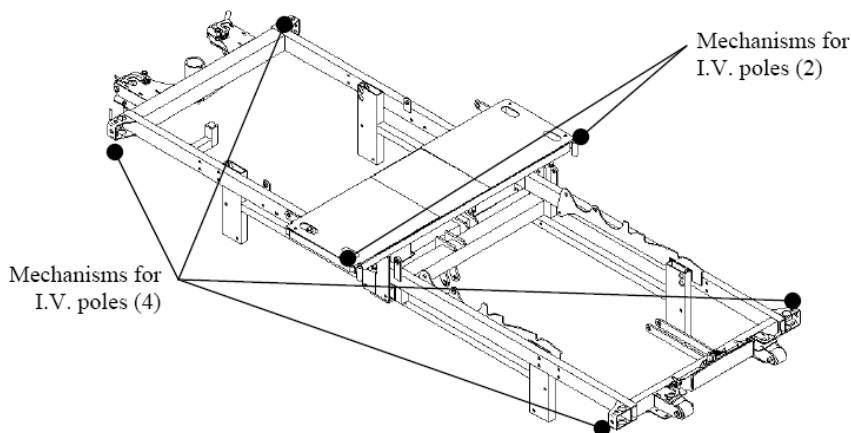
➤ To apply the brakes:

➤➤ Push down on the red side of the pedal.

* Do not move the bed sideways when the directional mode is on. This will avoid injuries to the patient and the user.

Mechanisms for I.V. Poles

Two (2) of the six (6) mechanisms are located at the lower back section of the platform and four (4) are fixed on each corner of the structure.

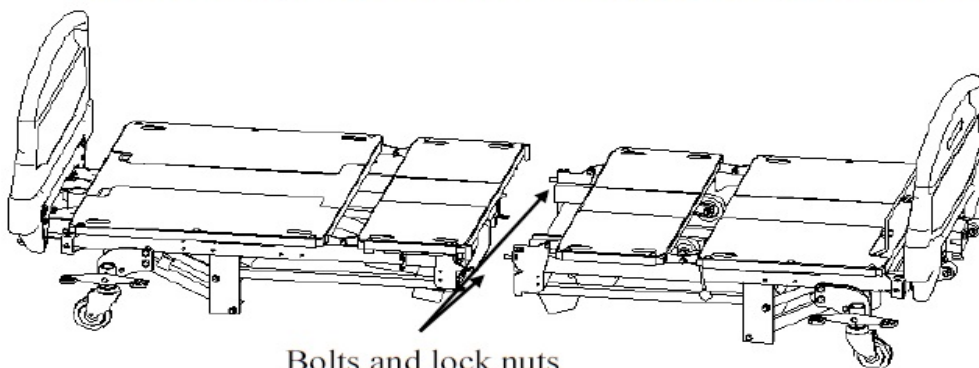


Instructions to assemble the two sections of the Varitech bed

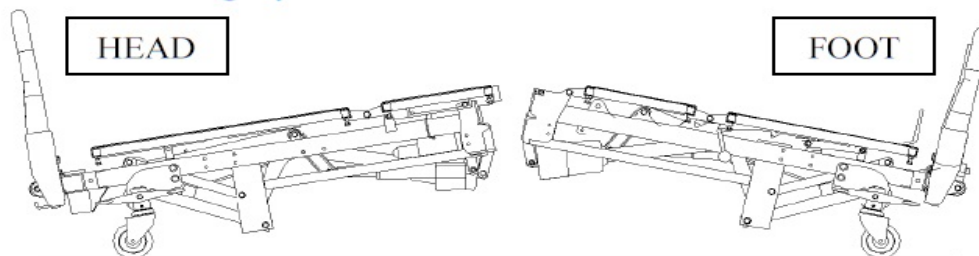
- Tools required : two 9/16" keys

We recommend that you do not work alone.

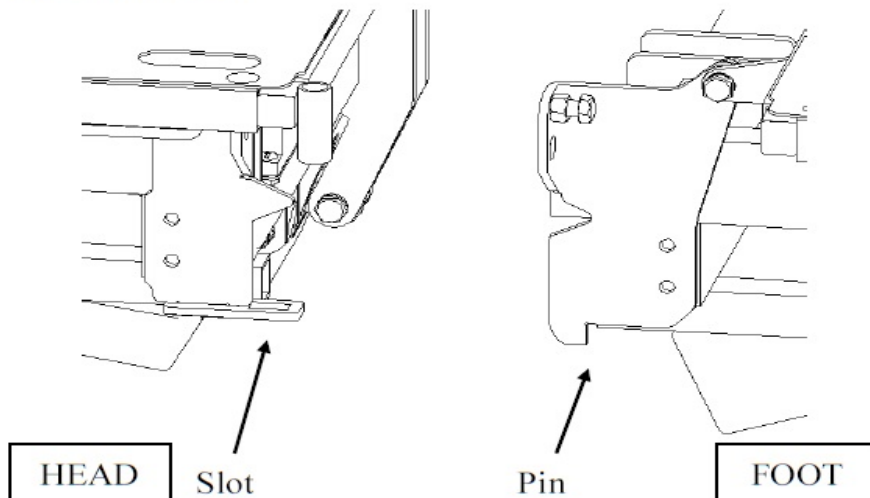
- 1- Bring both sections together. Remove the two bolts and lock nuts needed to join the two sections together and put them aside :



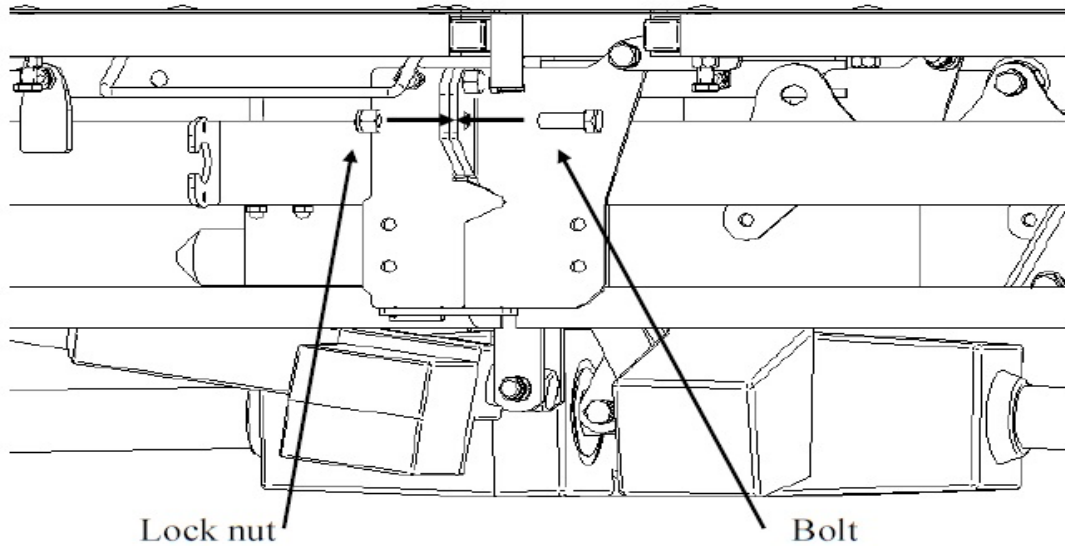
- 2- Place both sections in an angle as shown. The head section must be slightly lower than the foot section.



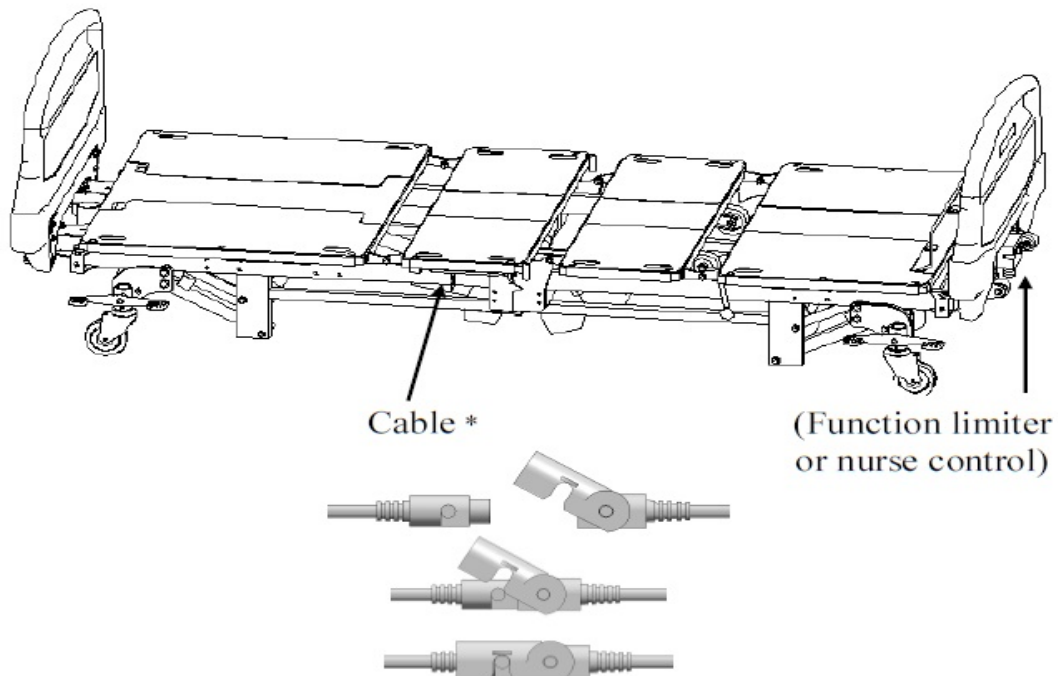
- 3- Insert both pins of the foot section into the corresponding slot of the head section :



- 4- Place and tighten the two bolts and lock nuts on both sides of the bed.



- 5- Connect the cable located on the outer edge of the bed, in the middle :



* Note : If your bed is equipped with either a function limiter (or a nurse control) or scale, you must connect one additional cable. Also, if your bed is equipped with both a function limiter (or a nurse control) and a scale, you must connect two additional cables.